



Vitoria™ 5000 - Carport

Dress your car with a stylish & affordable shelter

**CURVED
& CLEAN
UPSCALE
DESIGN**

**WARRANTY
10
YEARS**



499 L x 290 W x 240 H cm
196.4" L x 114.1" W x 94.5" H



**VIRTUALLY
UNBREAKABLE
POLYCARBONATE**



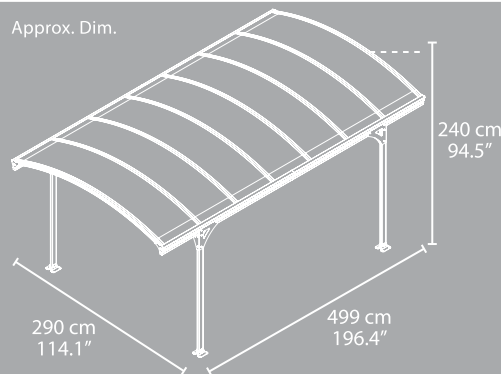
**100 kg/m²
20 lbs/ft²**

A modern and elegant carport, designed to be set-up easily.

- Virtually unbreakable polycarbonate panels transmit over 70% of sunlight.
- 4 Legged design provides easy & wide access.
- High impact structure and hail proof glazing panels.
- Super seal roofing system - prevents glazing failures due to wind and snow loads or thermal expansion.
- Aluminum and galvanized steel rust resistant powder coated frame.
- Maintenance free - no rust, rot, moss or fungus.
- DIY assembly – 2 persons, no special tools, requires only solid surface.
- Efficient & compact single package saves storage space and shipping costs.

Vitoria 5000 - Item # 702348

Approx. Dim.



Package Dim.

296x74x22.2 cm
116.5"x29.1"x8.7"

Package Weight

109kg
240lbs

40' HC

120 Units



Elegant curved roof



Sturdy & durable design



PALRAM Applications Ltd

Tel: (972) 4 848 6900 Fax: (972) 4 848 6901
E-mail: applications@palram.com
www.palramapplications.com



Manufactured and marketed by:
PALRAM Applications Ltd.
is a member of PALRAM Ind.